

# ASSEMBLY INSTRUCTIONS

## BASE CRONER CABINET

| Part | Descriptions               | Qty | Part | Description                | Qty | Part | Description            | Qty |
|------|----------------------------|-----|------|----------------------------|-----|------|------------------------|-----|
| A    | Left Face-frame            | 1   | I    | L-Shaped Steel             | 10  | P    | Back Rail              | 1   |
| B    | Right Face-frame           | 1   | J    | Screw $\phi 3.5 \times 12$ | 40  | Q    | Door                   | 1   |
| C    | Screw $\phi 3.5 \times 25$ | 22  | K    | Bottom With Lazy Susan     | 1   | R    | Hinge With Screws      | 2   |
| D,E  | Front Side Panel           | 2   | L    | Shelf With Lazy Susan      | 1   | S    | Magnetic Door Catchers | 1   |
| F    | Cam Lock                   | 6   | M,N  | Back Side Panel            | 2   | T    | Glue (not included)    | 1   |
| G,H  | Toe Kick                   | 2   | O    | Back Panel                 | 1   |      |                        |     |

This instructions applies to the following items: **BCOR33, BCOR36.**



\*\* Wood glue are required for assembly. Wood glue applied to each notching area for stability (wood glue not included)\*\*

STEP 1: Add a Bead of Glue to the Face Frame and each notching area needed.

STEP 2: Slide-in the Sides to the Frame.

STEP 3: Slide-in the Top and Bottom.

STEP 4: Slide-in the Back to the Cabinet Box.

STEP 5: Secure the Corners of the Box by using the L-Shaped Steel.

STEP 6:

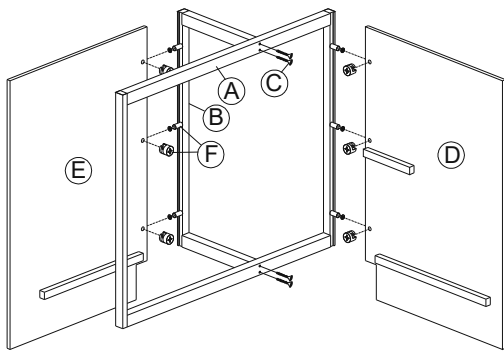


Figure1

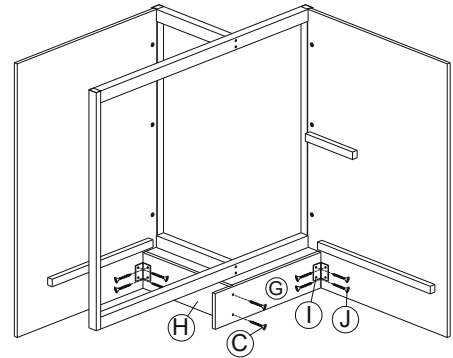


Figure2

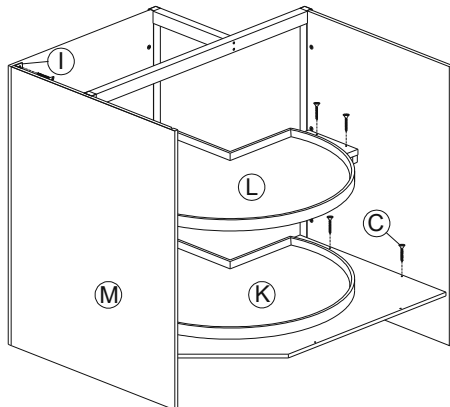
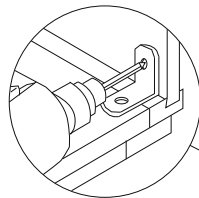


Figure3



SCREW DRIVER

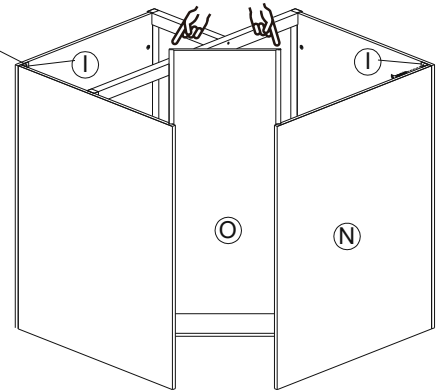
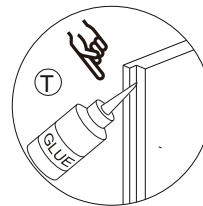


Figure4

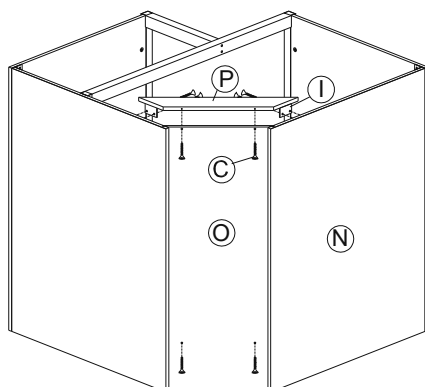


Figure5

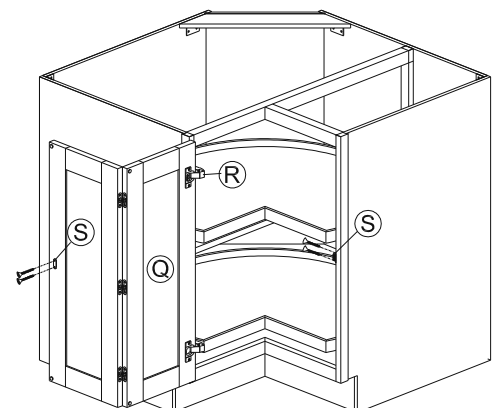


Figure6