

ASSEMBLY INSTRUCTIONS

BASE END CABINET

Part	Descriptions	Qty	Part	Description	Qty	Part	Description	Qty
A	Face-frame With Door	1	F	Screw $\phi 3.5 \times 25$	13	K	Shelf	2
B	Side Panel	2	G	L-Shaped Steel	5	L	Shelf Clip	8
C	Bottom Panel	1	H	Screw $\phi 3.5 \times 12$	10	M	Glue (not included)	1
D	Back Panel	1	I	Corner Brace	1			
E	Toe Kick	1	J	Corner Brace	4			

This instructions applies to the following items: **BEC1224L/R.**



** Wood glue are required for assembly. Wood glue applied to each notching area for stability (wood glue not included)**

STEP 1: Add a Bead of Glue to the Face Frame and each notching area needed, Slide-in the Sides to the Frame & Bottom.

STEP 2: Slide-in the Back to the Cabinet Box.

STEP 3: Secure the Corners of the Box by using the L-Shaped Steel.

STEP 4:

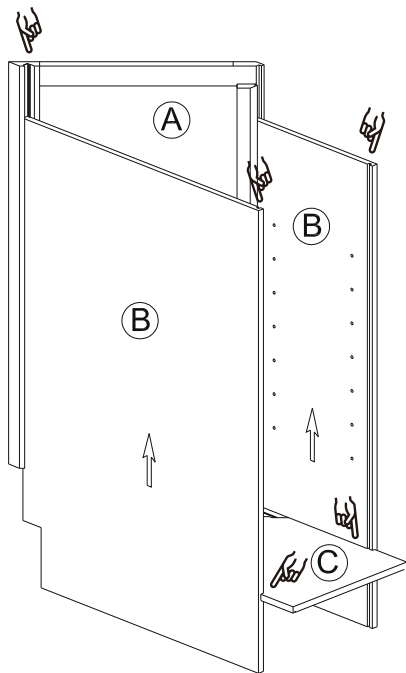


Figure1

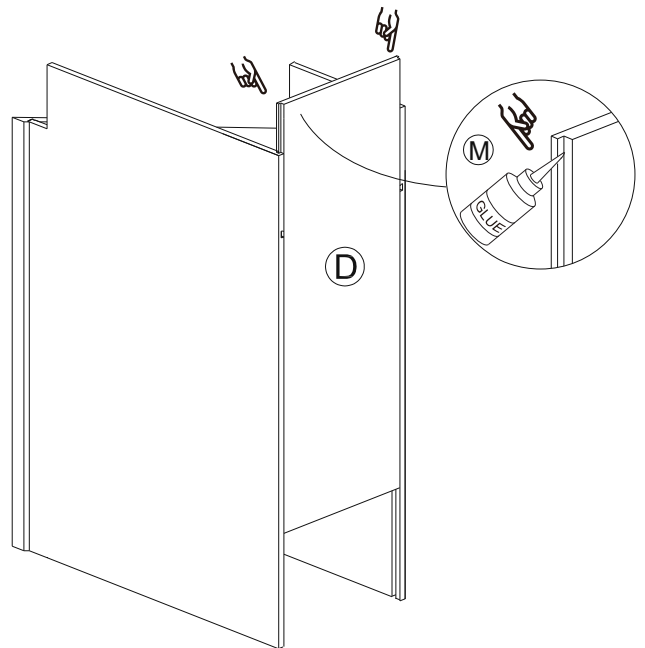


Figure2

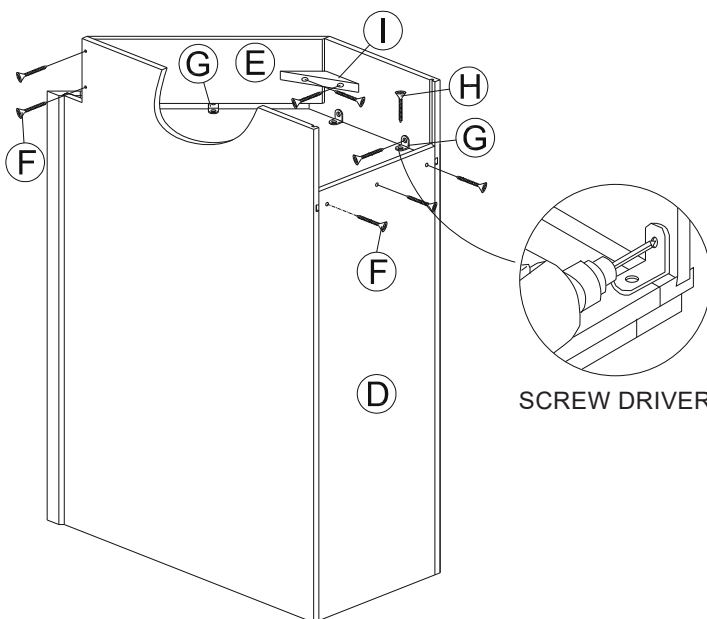


Figure3

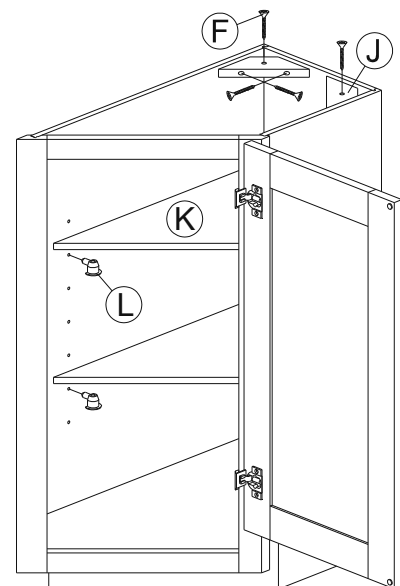


Figure4