

ASSEMBLY INSTRUCTIONS

BASE FULL HEIGHT DOOR CABINET

Part	Descriptions	Qty	Part	Description	Qty	Part	Description	Qty
A	Face-frame With Door	1	F	Toe Kick	1	K	Corner Brace	4
B	Side Panel	2	G	Screw $\phi 3.5 \times 25$	17	L	Shelf	1
C	Bottom Panel	1	H	L-Shaped Steel	4	M	Shelf Clip	4
D	Rail	2	I	L-Shaped Steel	2	N	Glue (not included)	1
E	Back Panel	1	J	Screw $\phi 3.5 \times 12$	16			

This instructions applies to the following items: **BH09**.



Wood glue are required for assembly. Wood glue applied to each notching area for stability (wood glue not included)

STEP 1: Add a Bead of Glue to the Face Frame and each notching area needed.

STEP 2: Slide-in the Sides to the Frame.

STEP 3: Slide-in the Top and Bottom.

STEP 4: Slide-in the Back to the Cabinet Box.

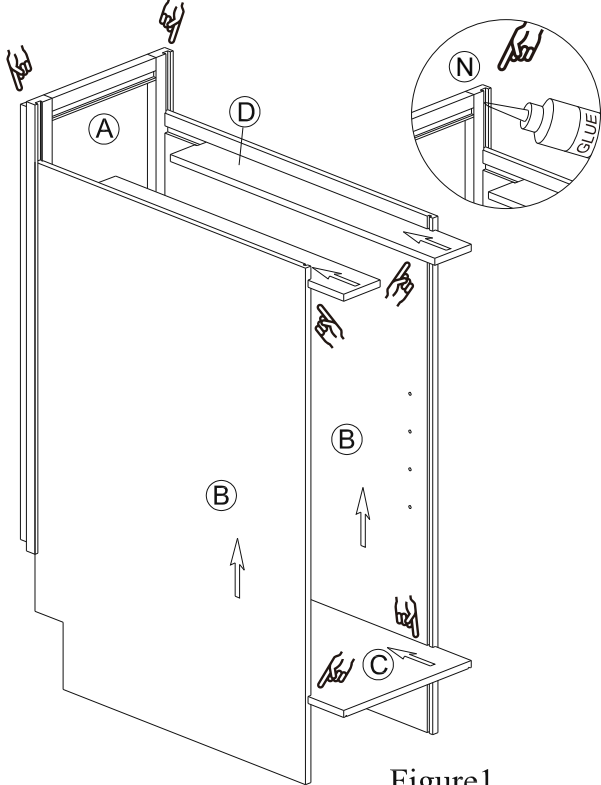


Figure1

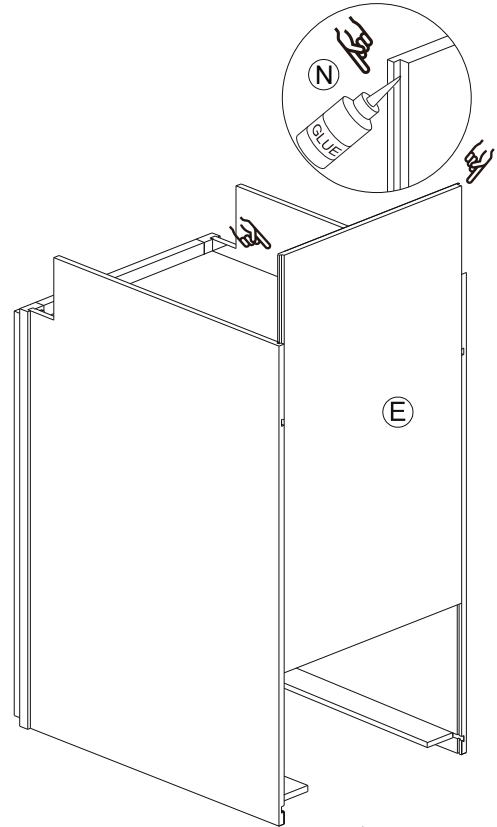


Figure2

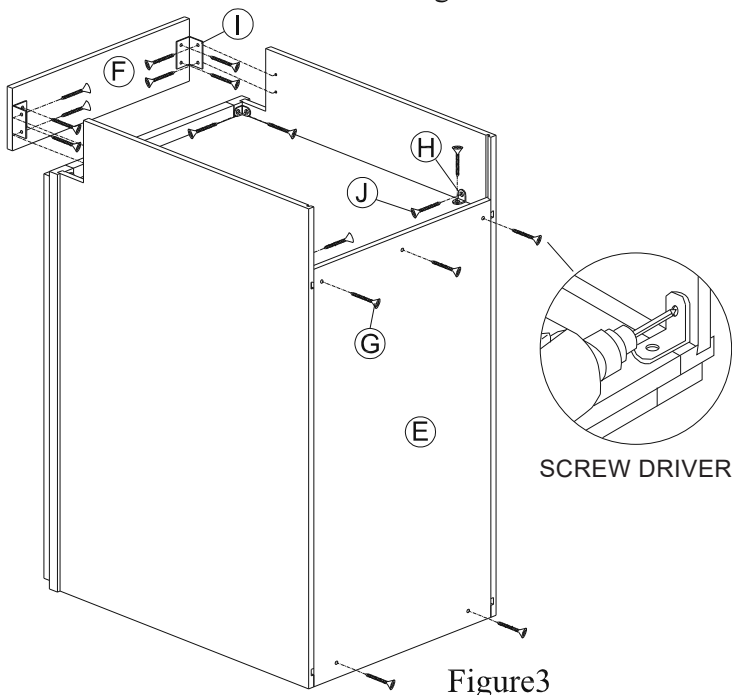


Figure3

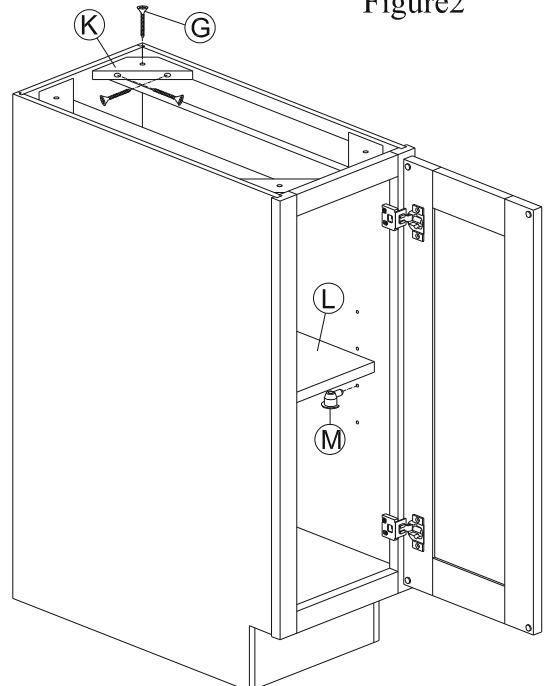


Figure4