

ASSEMBLY INSTRUCTIONS

ROLL OUT TRAY KIT

Part	Descriptions	Qty	Part	Description	Qty	Part	Description	Qty
A	Drawer Front	1	C	Drawer Back	1	E	Slide With Screws	1
B	Drawer Side	2	D	Drawer Bottom	1			

This instructions applies to the following items: **ROTD-15~ROTD-36.**

STEP 1: Add a Bead of Glue to the Face Frame and each notching area needed.

STEP 2: Slide-in the Sides to the Frame.

STEP 3: Slide-in the Top and Bottom.

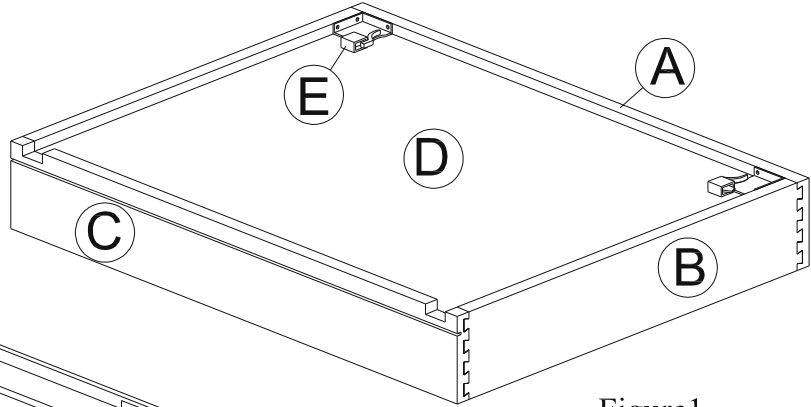


Figure1

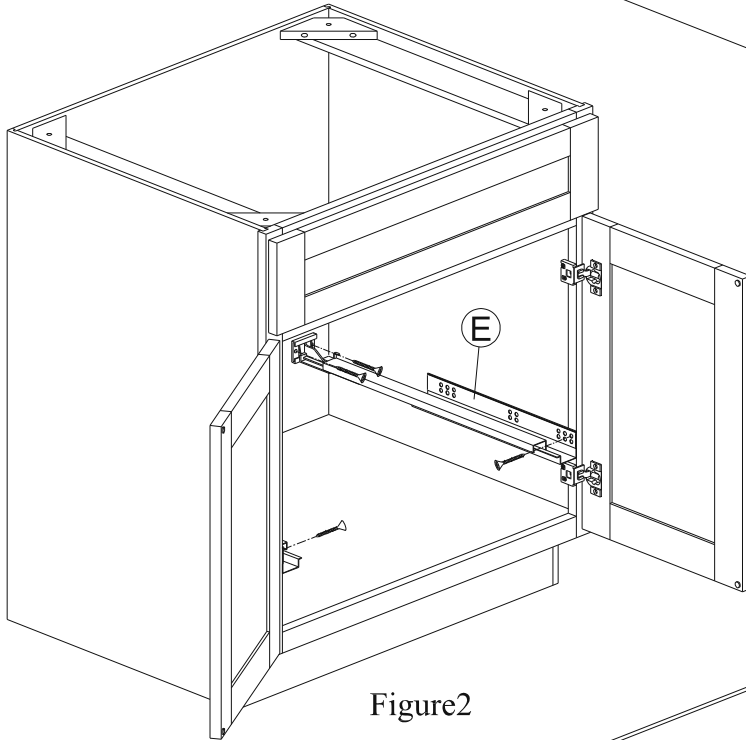


Figure2

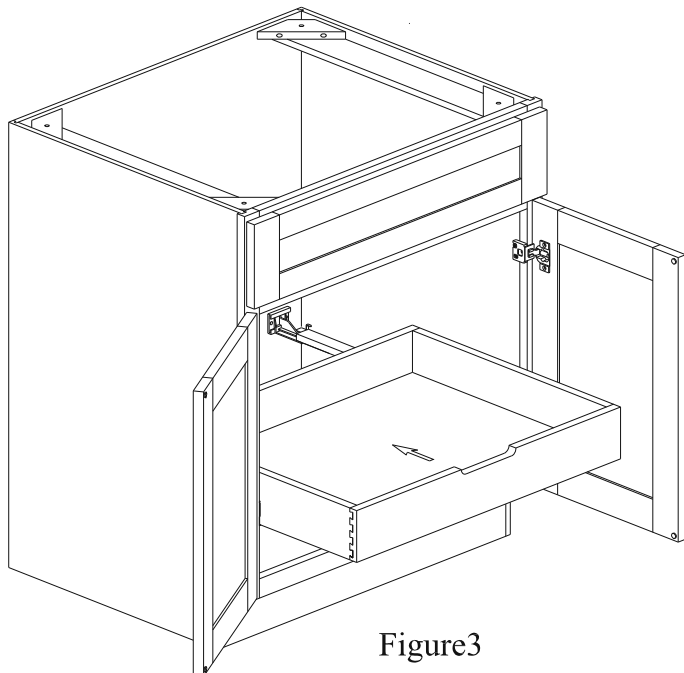


Figure3