

ASSEMBLY INSTRUCTIONS

VANITY COMBINATION DRAWER AND DOOR

Part	Descriptions	Qty	Part	Description	Qty	Part	Description	Qty
A,B,C,D	Drawer Parts	2	I	Back Panel	1	N	L-Shaped Steel	2/3
E	Slide With Screws	2	J	Toe Kick	1	O	Screw $\phi 3.5 \times 12$	16/22
F	Face-frame With Door	1	K	Support Panel	0/1	P	Corner Brace	4
G	Side Panel	2	L	Screw $\phi 3.5 \times 25$	16	Q	Glue (not included)	1
H	Bottom Panel	1	M	L-Shaped Steel	4/5			

This instructions applies to the following items: **VSD3021DL, VSD3021DR, VSD3621DL, VSD3621DR.**



Wood glue are required for assembly. Wood glue applied to each notching area for stability (wood glue not included)

STEP 1: Add a Bead of Glue to the Face Frame and each notching area needed.

STEP 2: Slide-in the Sides to the Frame.

STEP 3: Slide-in the Top and Bottom.

STEP 4: Slide-in the Back to the Cabinet Box.

STEP 5: Secure the Corners of the Box by using the L-Shaped Steel.

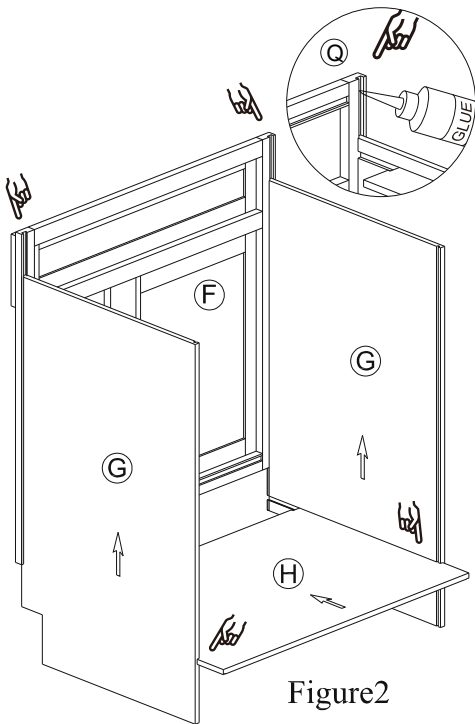


Figure2

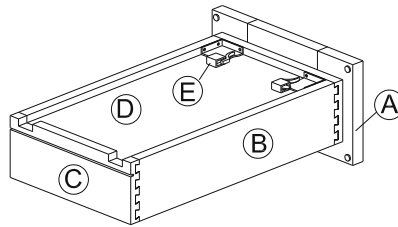


Figure1

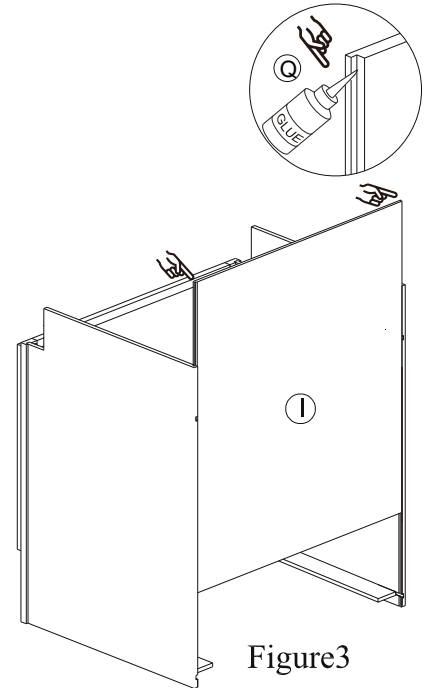


Figure3

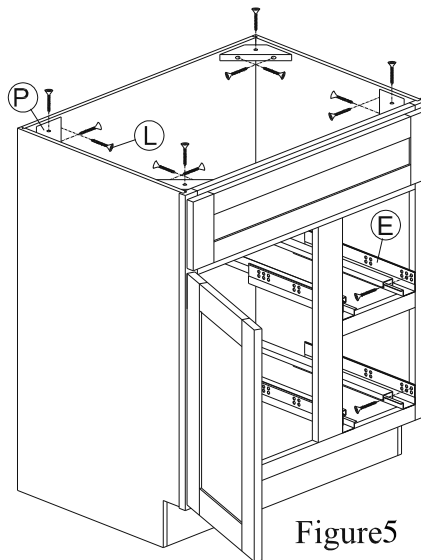


Figure5

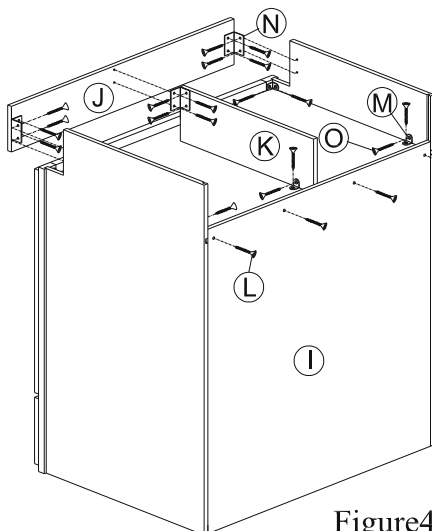
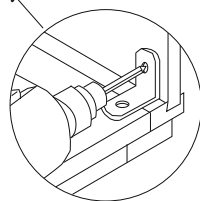


Figure4



SCREW DRIVER

