

# ASSEMBLY INSTRUCTIONS

## WALL BLIND CABINET

Part	Descriptions	Qty	Part	Description	Qty	Part	Description	Qty
A	Face-frame with Door	1	E	Glue (not included)	1	I	Shelf	2/3
B	Side Panel	2	F	Screw $\phi 3.5 \times 25$	6	J	Shelf Clip	8/12
C	Top And Bottom	2	G	L-Shaped Steel	8			
D	Back Panel	1	H	Screw $\phi 3.5 \times 12$	16			

This instructions applies to the following items: **WBC2730,WBC2736,WBC2742.**



\*\* Wood glue are required for assembly. Wood glue applied to each notching area for stability (wood glue not included)\*\*

STEP 1: Add a Bead of Glue to the Face Frame and each notching area needed.

STEP 2: Slide-in the Sides to the Frame.

STEP 3: Slide-in the Top and Bottom.

STEP 4: Slide-in the Back to the Cabinet Box.

STEP 5: Secure the Corners of the Box by using the L-Shaped Steel.

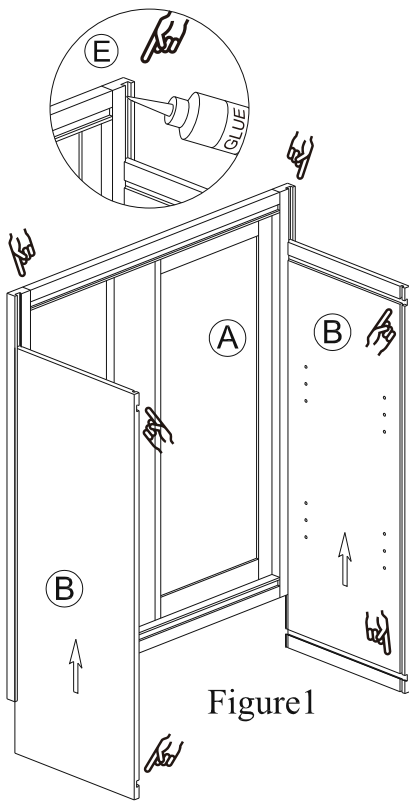


Figure1

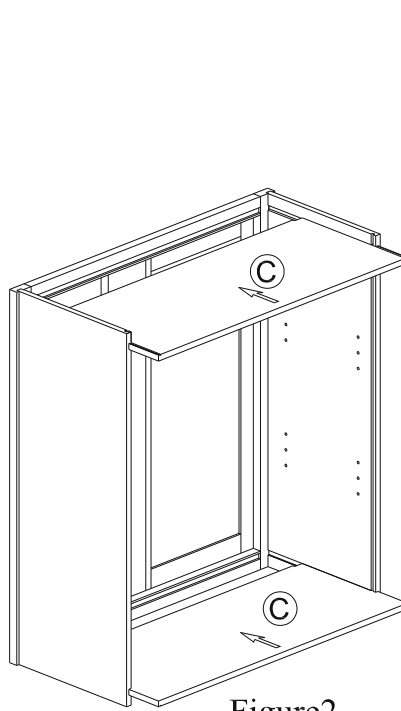


Figure2

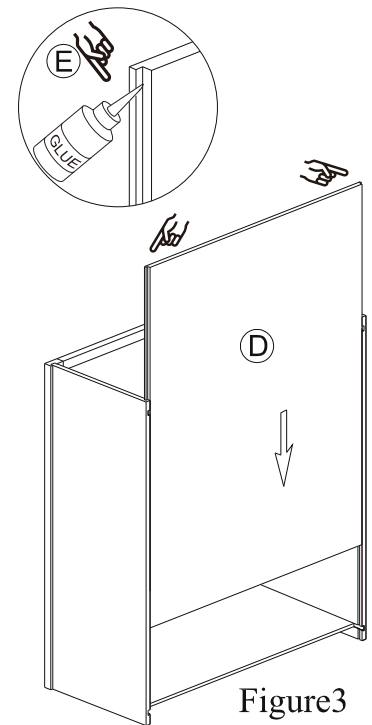


Figure3

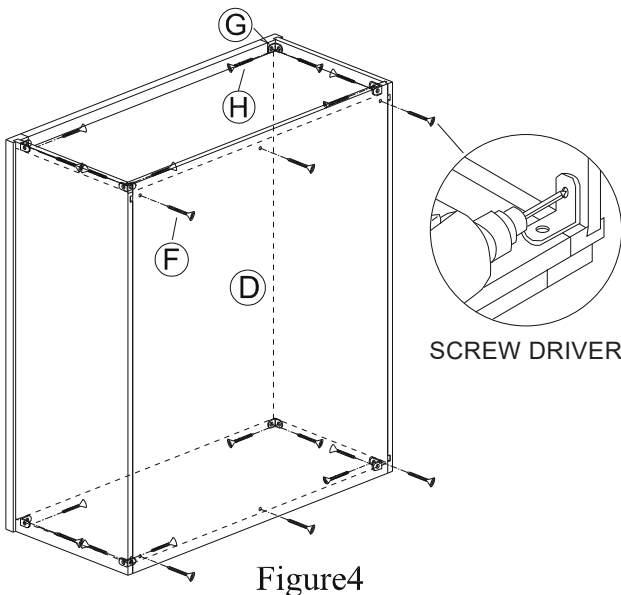


Figure4

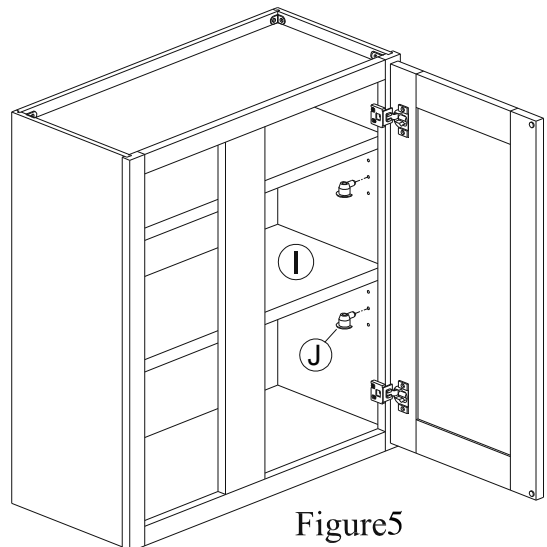


Figure5