

# ASSEMBLY INSTRUCTIONS

## WALL CRONER CABINET

Part	Descriptions	Qty	Part	Description	Qty	Part	Description	Qty
A	Left Face-frame	1	F	Back Side Panel	1	K	Shelf Clip	12/18
B	Right Face-frame	1	G	Back Side Panel	1	L	Door	1
C	Front Side Panel	2	H	L-Shaped Steel	15	M	Hinge With Screws	2
D	Screw $\phi 3.5 \times 25$	7/8	I	Screw $\phi 3.5 \times 12$	30	N	Magnetic Door Catchers	1
E	Top And Bottom	2	J	Shelf	2/3	O	Glue (not included)	1

This instructions applies to the following items: **WCOR2430~WCOR2442.**



\*\* Wood glue are required for assembly. Wood glue applied to each notching area for stability (wood glue not included)\*\*

STEP 1: Add a Bead of Glue to the Face Frame and each notching area needed, Slide-in the Sides to the Frame.

STEP 2: Slide-in the Top and Bottom.

STEP 3: Slide-in the Back to the Cabinet Box.

STEP 4: Secure the Corners of the Box by using the L-Shaped Steel.

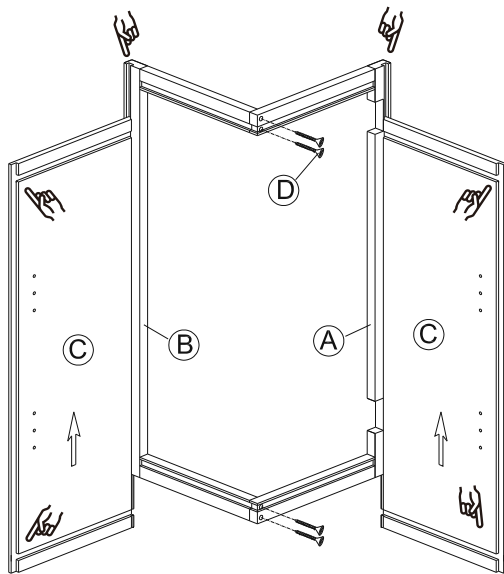


Figure1

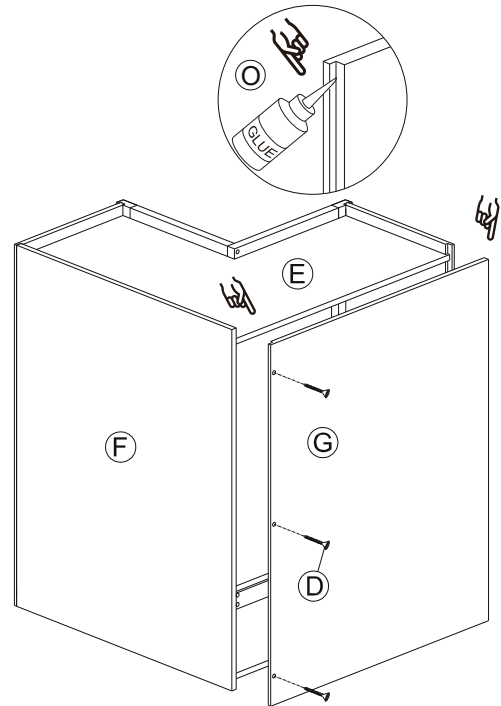


Figure2

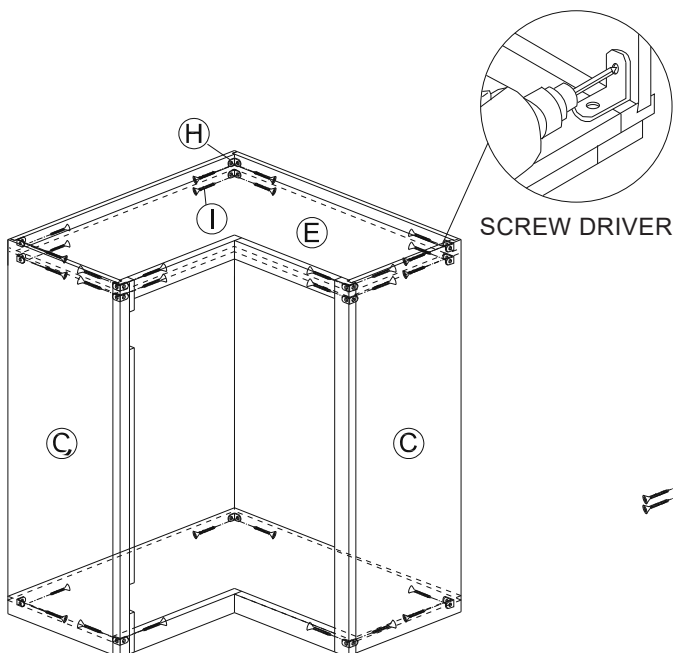


Figure3

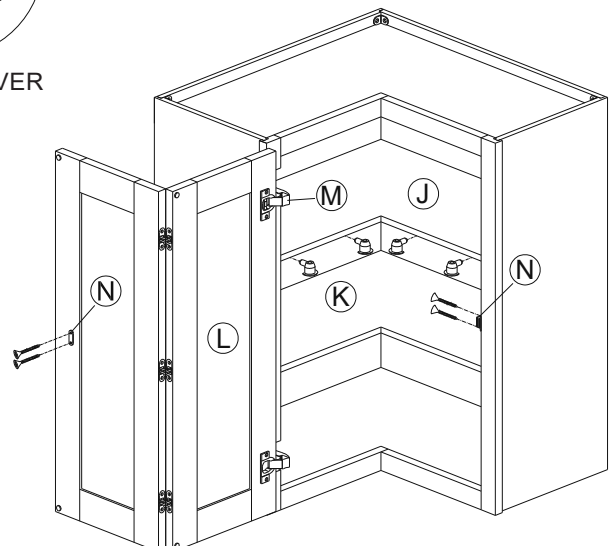


Figure4