

**AW1230,AW1236,AW1242**

**ASSEMBLY INSTRUCTIONS**

Getting started:

prepare a protection layer, a screwdriver

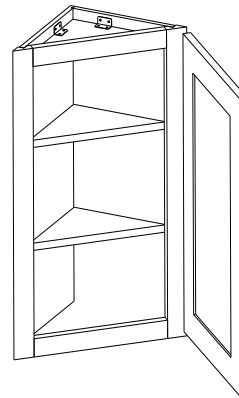
STEP 1: Joint top&bottom panel with side panel

STEP 2: Attach left side panel

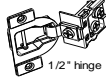




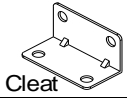
STEP 3: Attach the frame

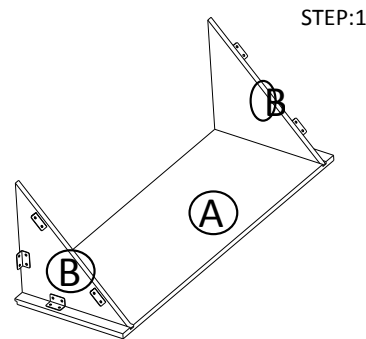
STEP 4: Hinge the door to the face frame and adjust the cover-space

STEP 5: Put on the adjustable shelves

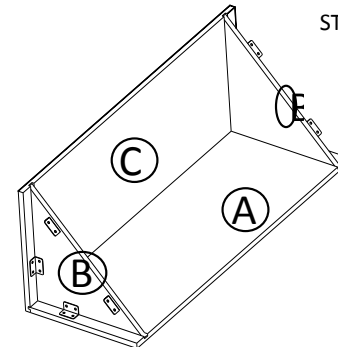


PARTS LIST		
NO.	Description	QTY
A	RIGHT SIDE PANEL	1
B	TOP&BOTTOM PANEL	2
C	LEFT SIDE PANEL	1
D	FACE FRAME	1
E	CABINETS DOOR	1
F	ADJUSTABLE SHELF	2 OR 3

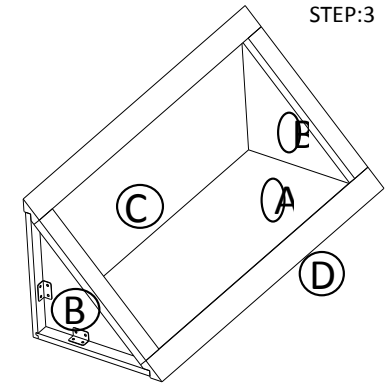
6	1/2" HINGE	2	 1/2" hinge
5	3/4" ROUND HEAD SCREW	2	 3/4" round head screw
4	BUMPER	2	 Bumper
3	SHELF CLIP	8 OR 12	 Shelf clip
2	9/16" ROUND HEAD SCREW	32	 9/16" round head screw
1	CLEAT	8	 Cleat
NO.	Description	QTY	PICTURE
HARDWARE LIST			



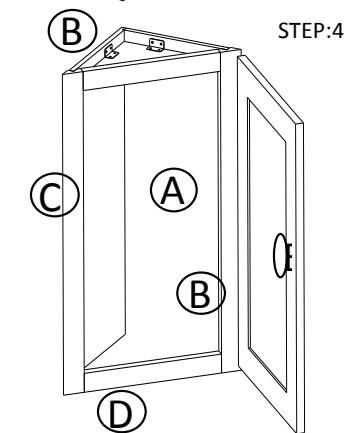
STEP:1



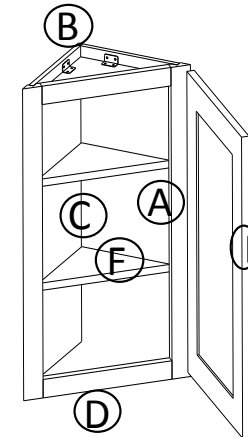
STEP:2



STEP:3



STEP:4



STEP:5