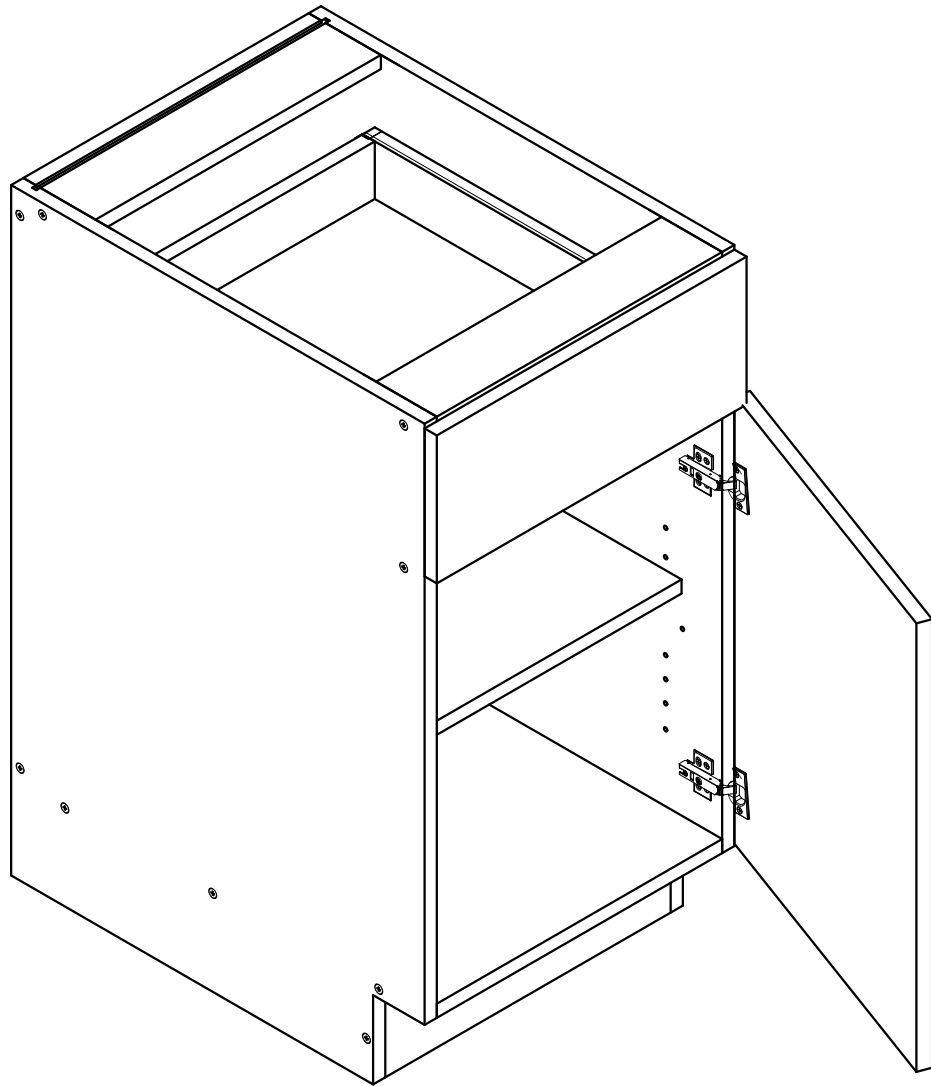
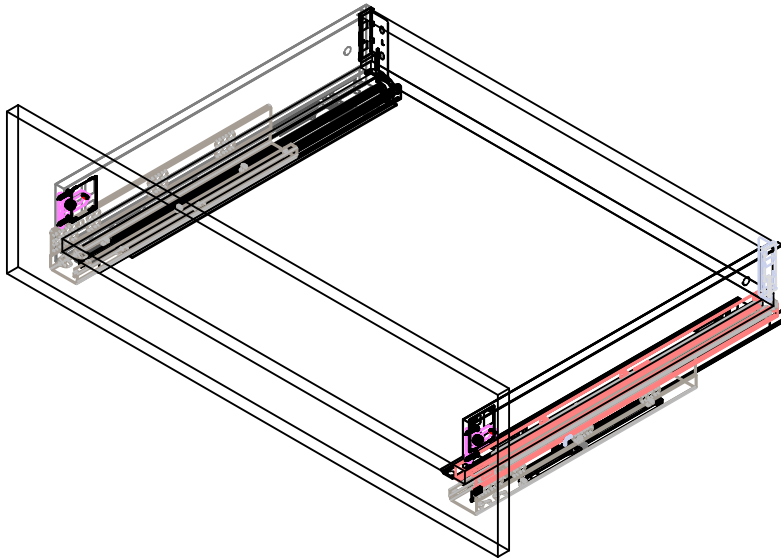
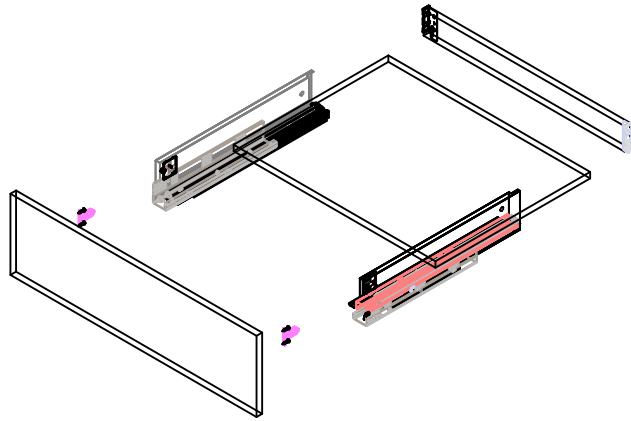
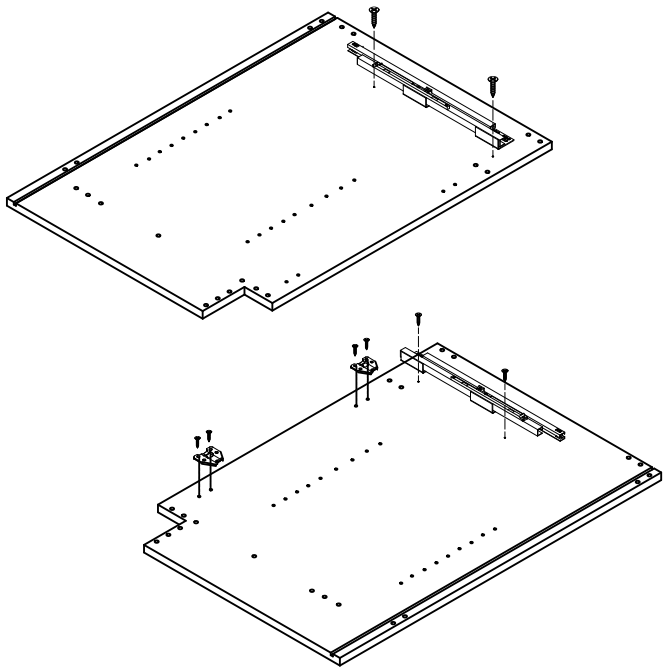


BASE CABINET ASSEMBLY INSTRUCTION

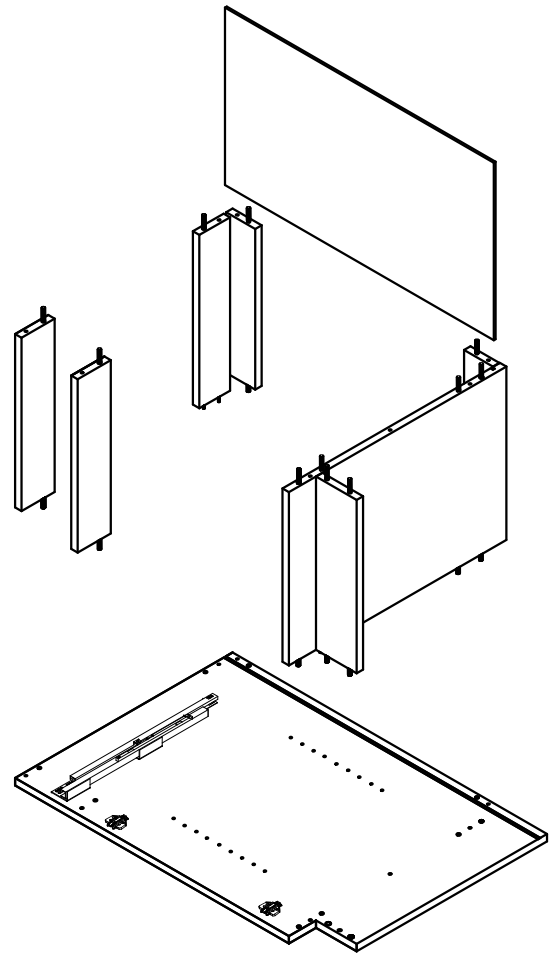


B09	B12
B15	B18
B21	

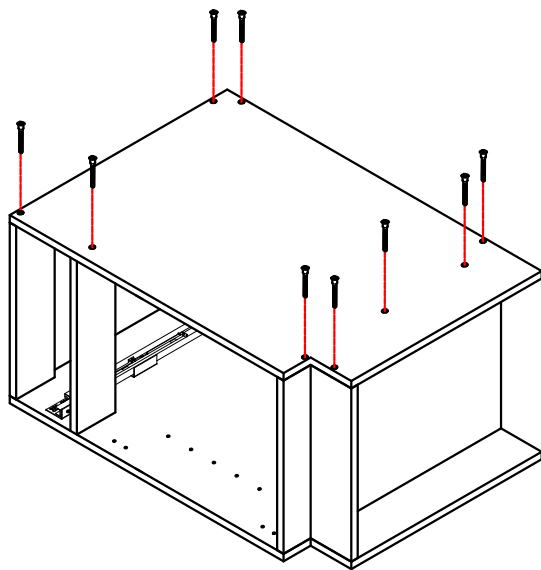




Step-1

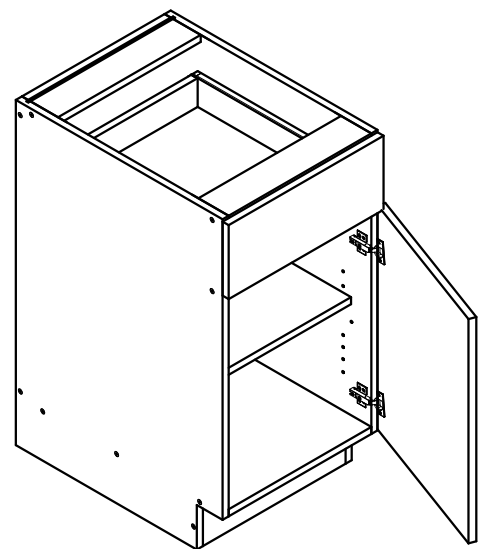


Step-2



The other side panel is also assembled with screws

Step-3



Step-4