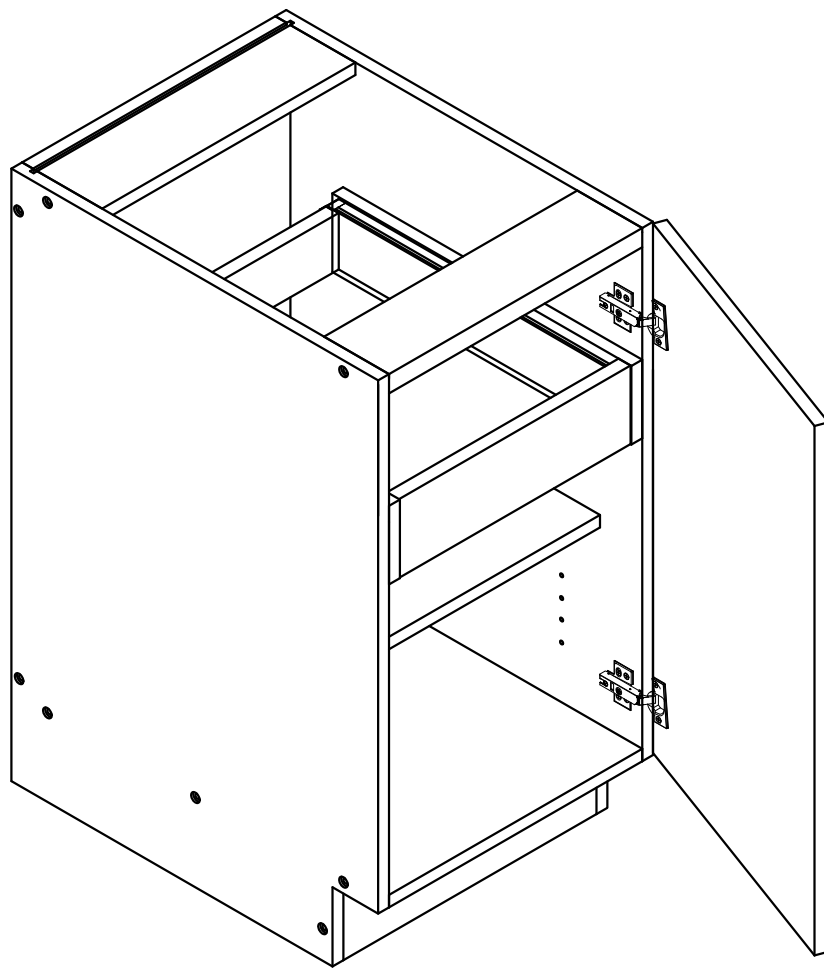


# BASE CABINET ASSEMBLY INSTRUCTION



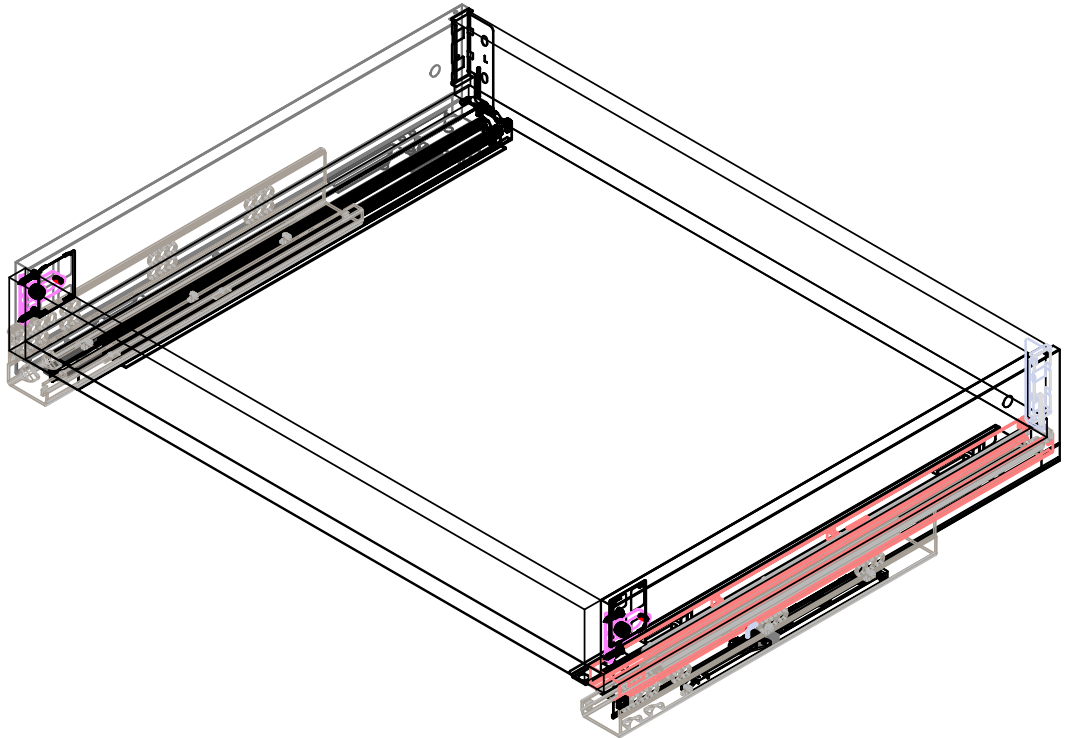
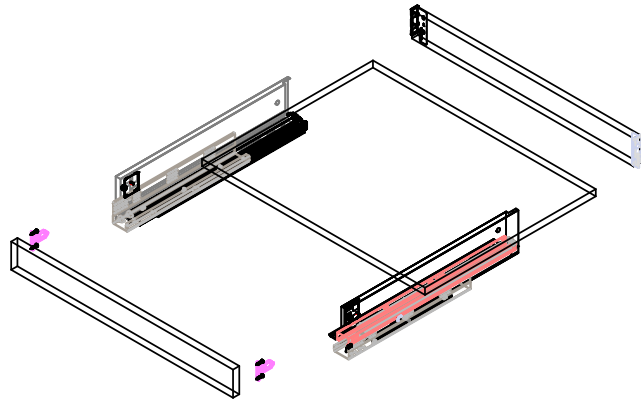
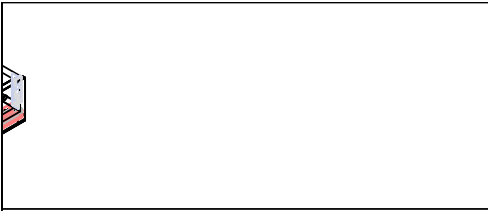
B09FD

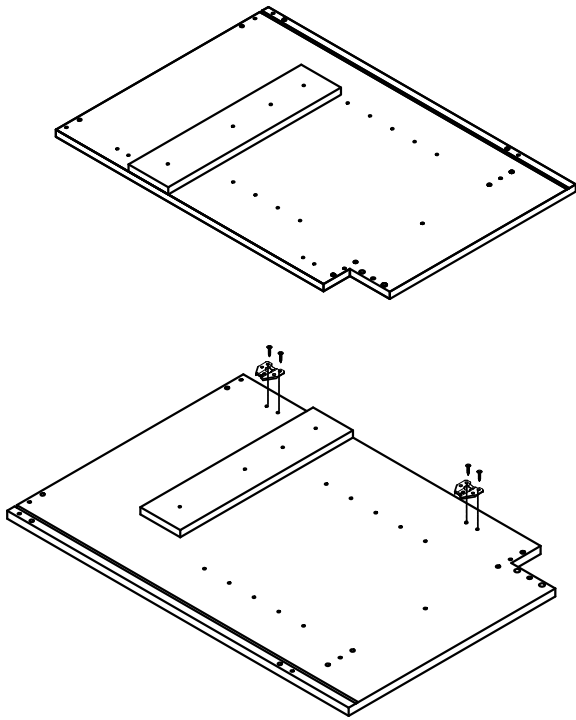
B12FD

B15FD

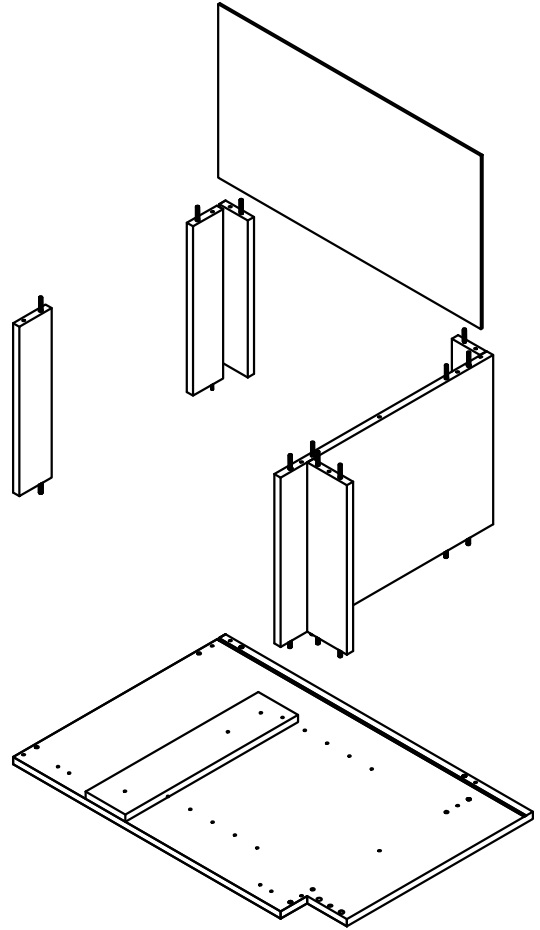
B18FD

B21FD

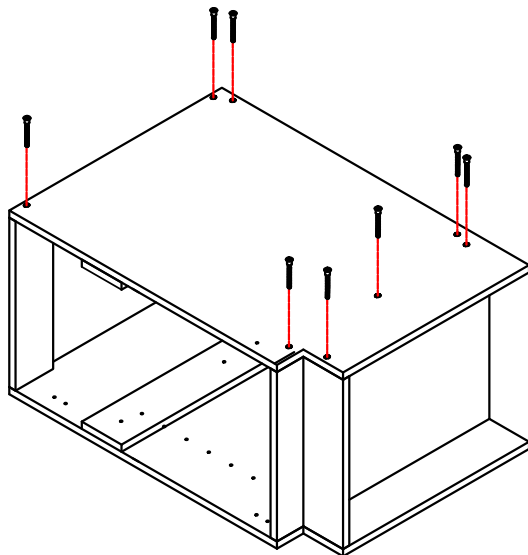




Step-1

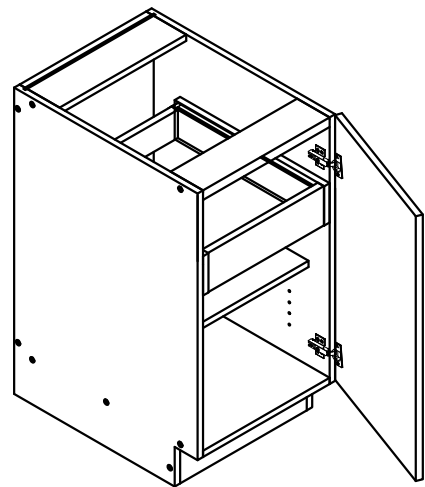


Step-2



**The other side panel is also assembled with screws**

Step-3



Step-4