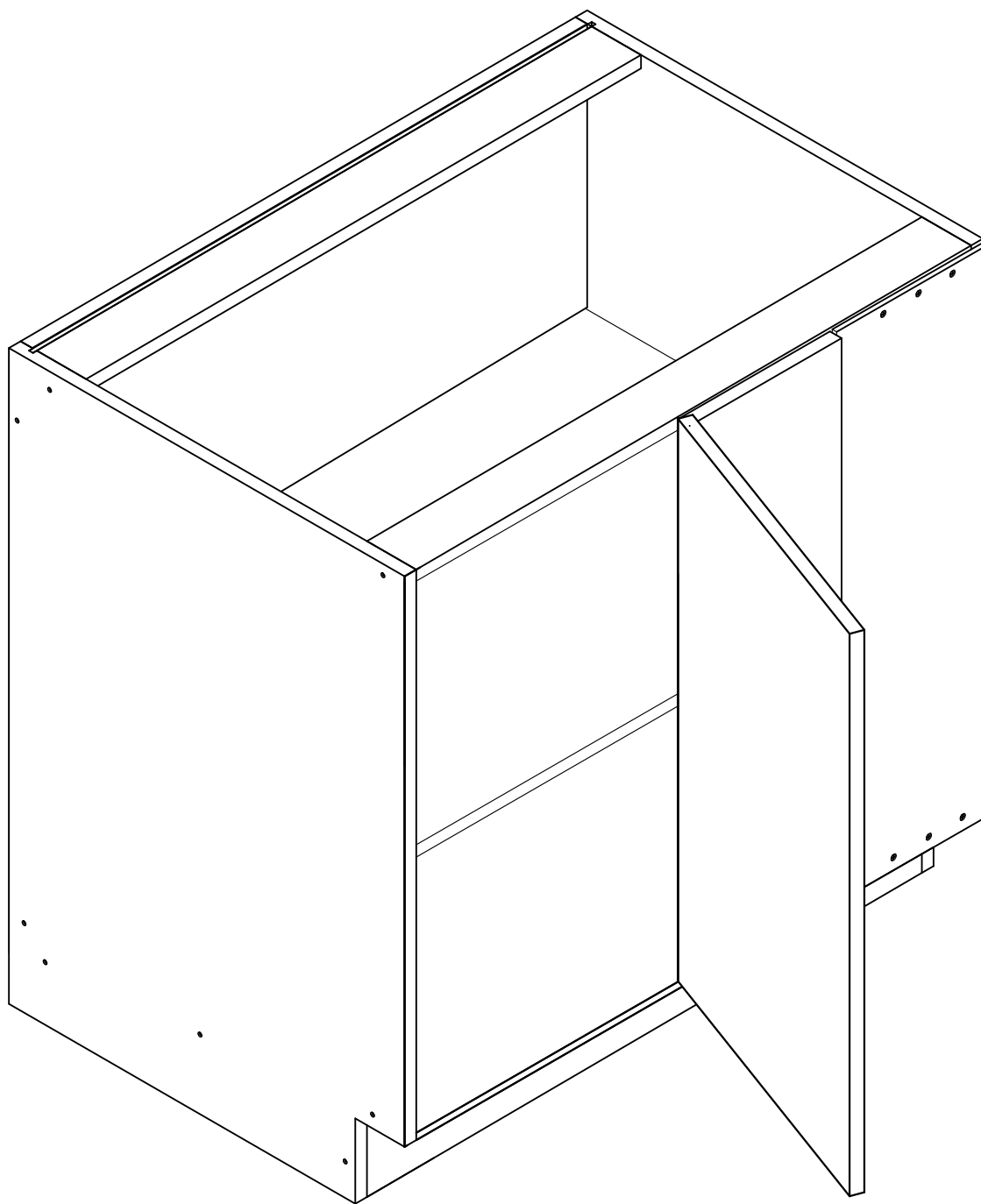
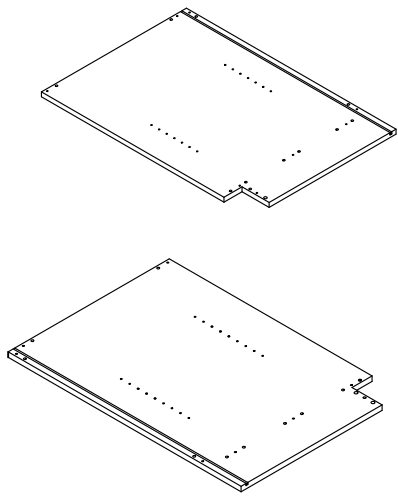


BASE BLIND CORNER CABINET ASSEMBLY INSTRUCTION

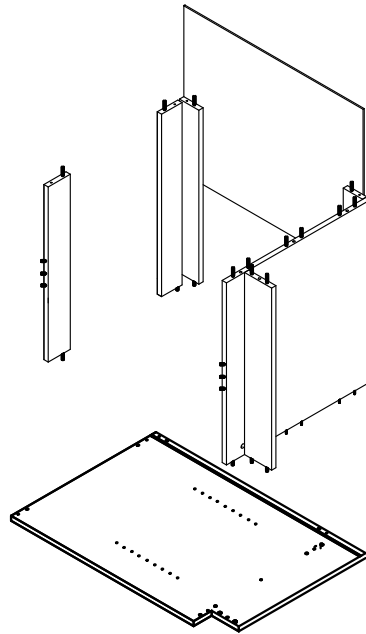


BBC42

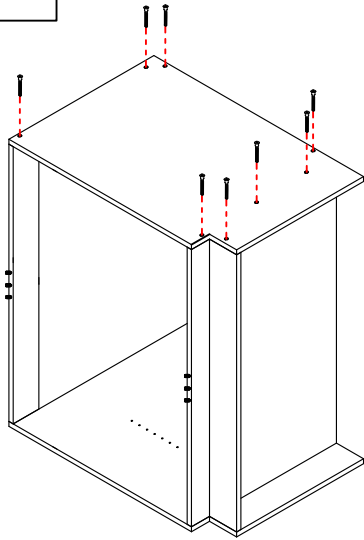
BBC45



Step-1

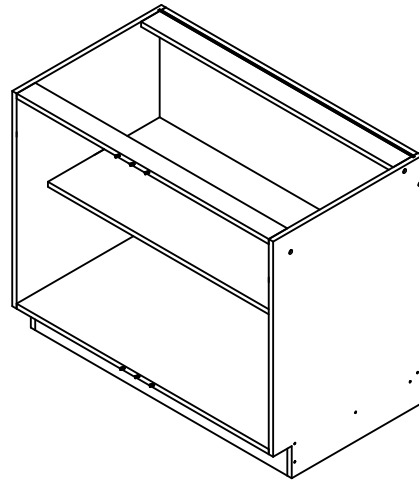


Step-2

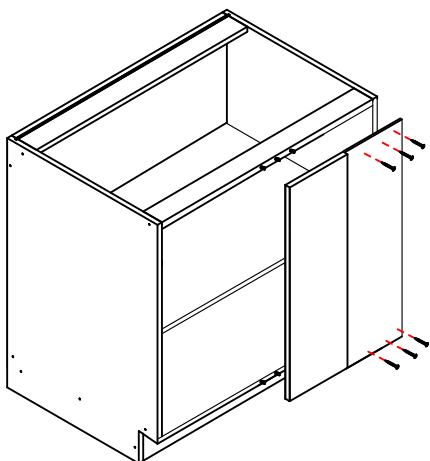


The other side plate is also assembled in this way

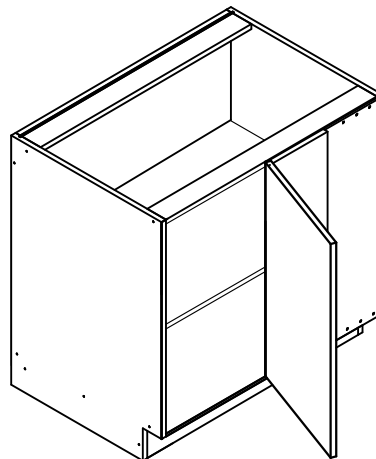
Step-3



Step-4



Step-5



Step-6