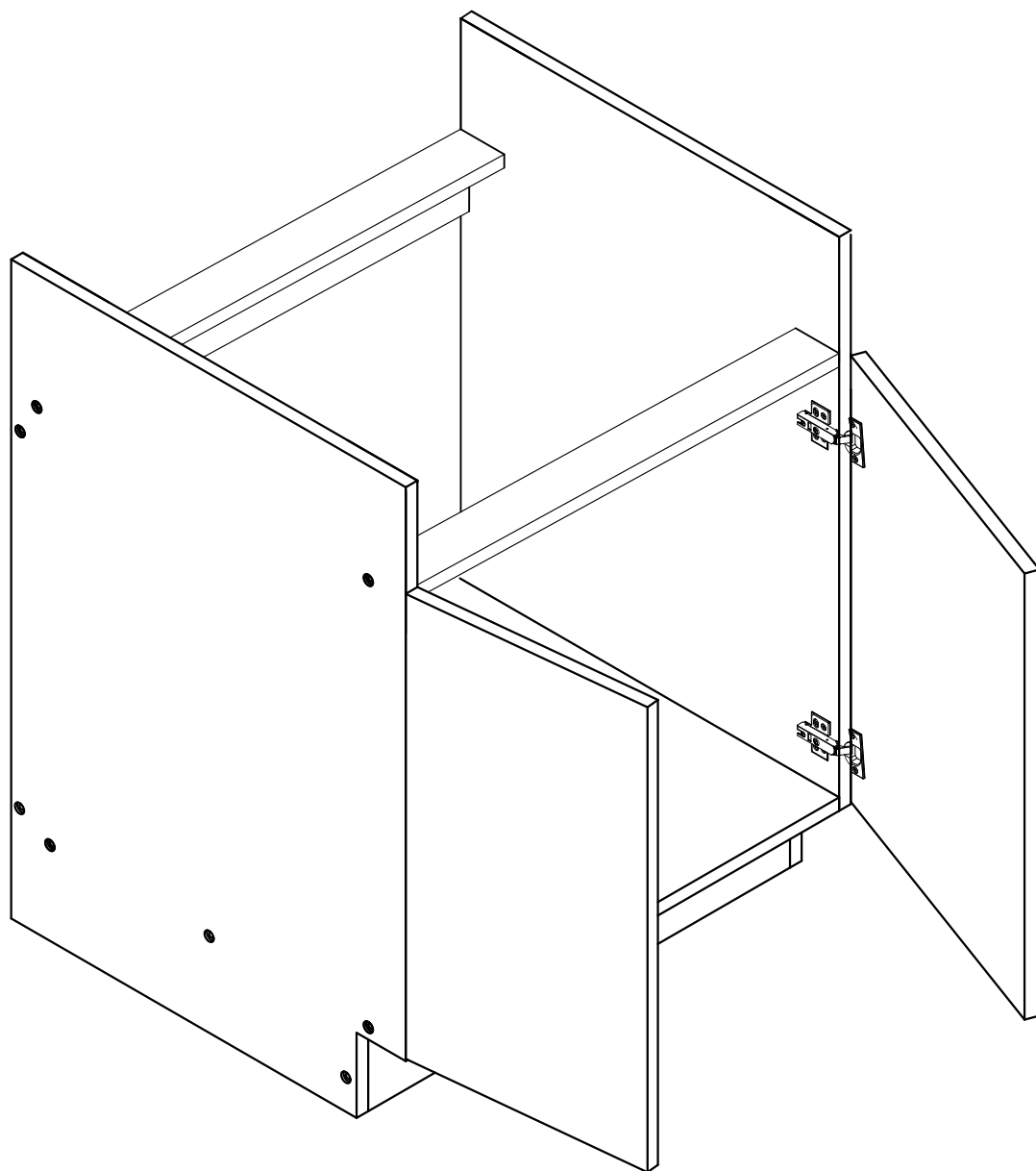
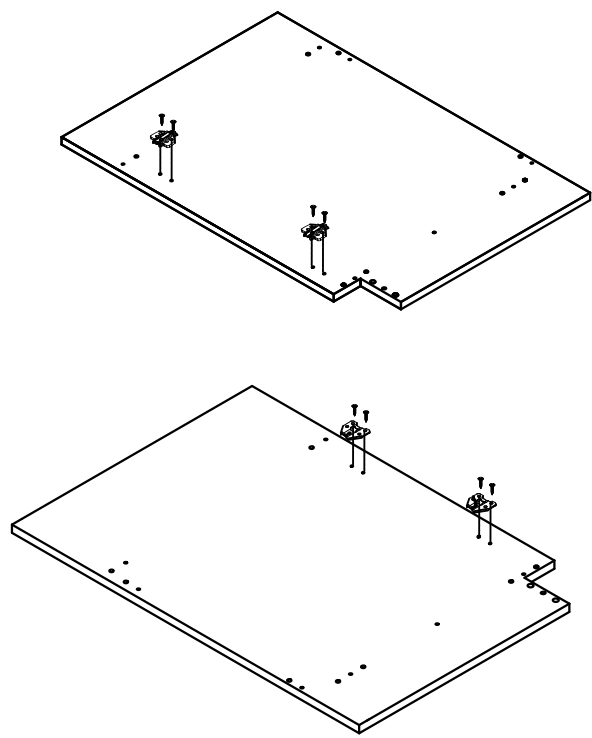
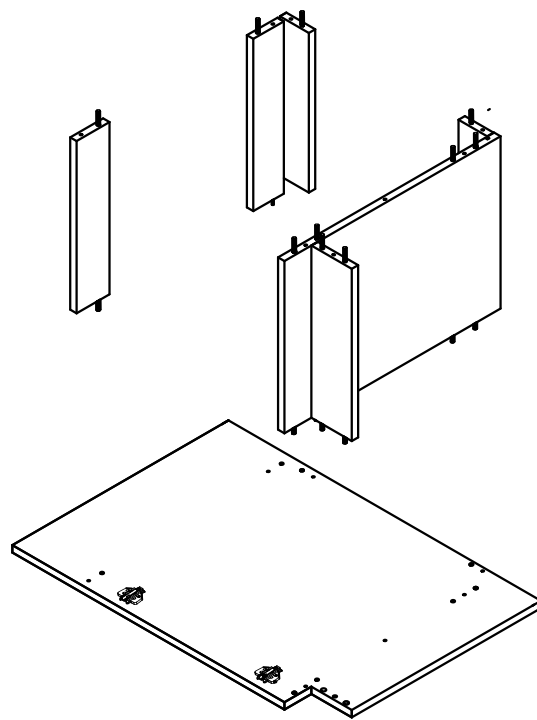


FARM SINK BASE CABINET ASSEMBLY INSTRUCTION

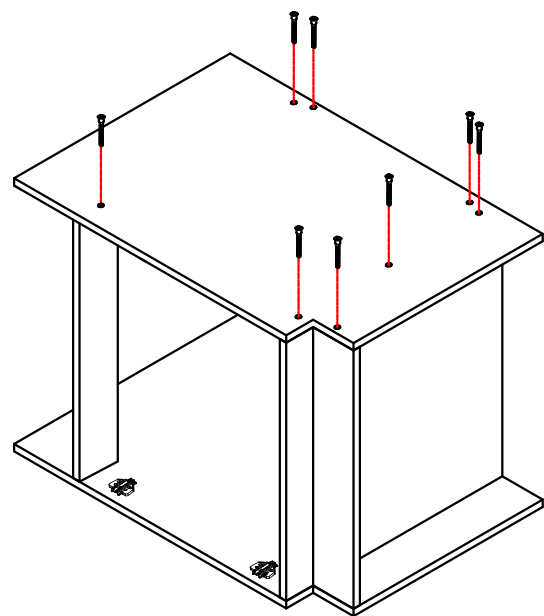




Step-1

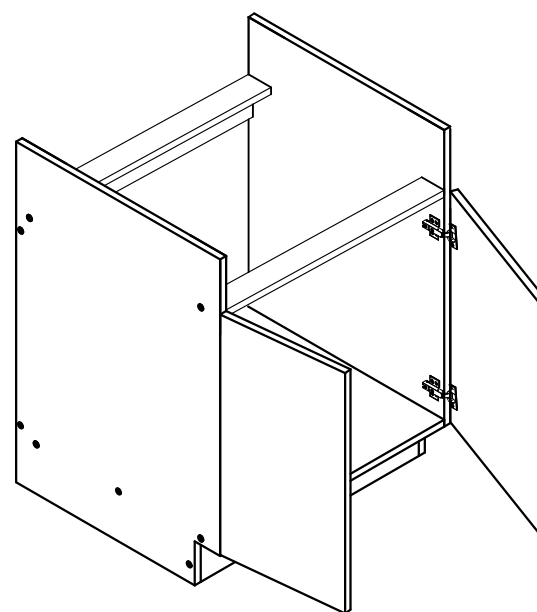


Step-2



The other side panel is also assembled with the screw

Step-3



Step-4