

A close-up photograph of several white RTA (Ready-to-Assemble) cabinet doors. The doors are stacked, showing their edges and the recessed panel design. A blue square logo is overlaid on the top center of the image. The logo contains the text 'THE rta STORE' in white, with 'THE' in a small sans-serif font, 'rta' in a large, stylized lowercase serif font, and 'STORE' in a smaller sans-serif font below it.

THE  
rta  
STORE

# Township

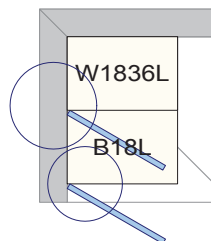
## Installation Notice

**CLEARANCE STRIPS MAY BE REQUIRED**

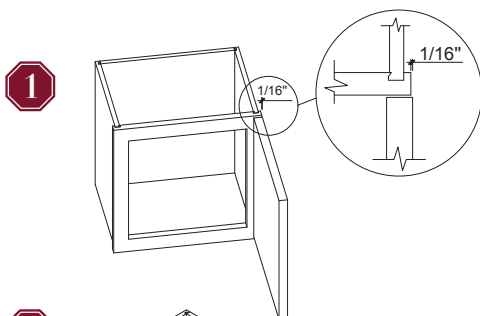
# Do Not Install Before Reading This First

## CLEARANCE STRIPS MAY BE REQUIRED

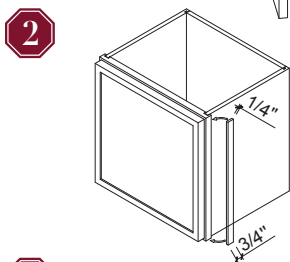
- When installing your beautiful new Township cabinetry  $\frac{1}{2}$ " minimum clearance is required to allow the door to open and close. Clearance strips are fillers pre cut to  $\frac{1}{4}$ " wide for your convenience.



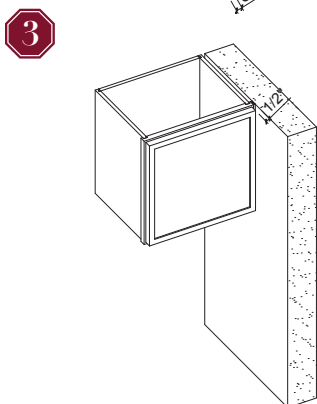
**DOOR WILL NOT OPEN WITHOUT CLEARANCE STRIPS OR FILLER**



Cabinet without clearance strip



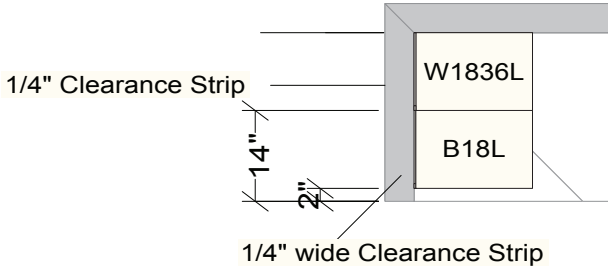
Add  $\frac{1}{4}$ " clearance strip to face frame



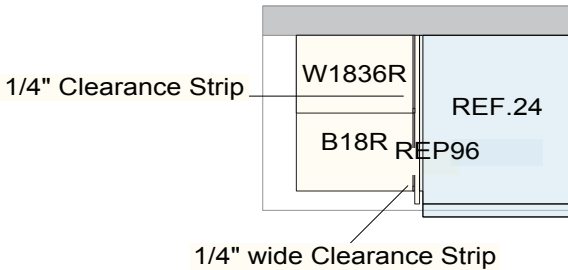
When clearance strip is installed you will have  $\frac{1}{2}$ " between door and wall. Door will now open properly.

- The most common areas where clearance strips are required include: cabinetry adjacent to walls, appliances, tall cabinets and REP panels. Be mindful to always maintain 1/2" clearance when adjoining cabinetry of different depths and on both outside edges of base cabinets when using stone water fall island ends that extend to the floor.

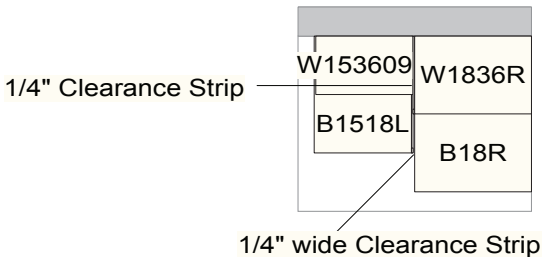
• **USE CLEARANCE STRIPS NEXT TO A WALL**



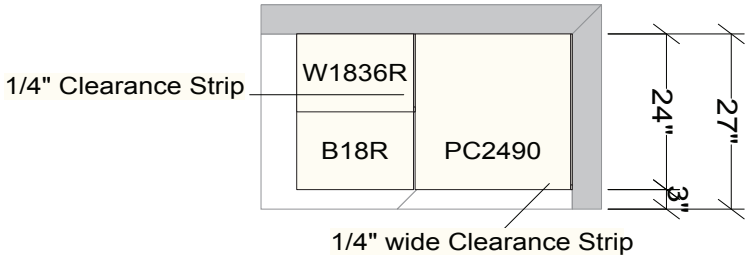
• **USE CLEARANCE STRIPS NEXT TO REP**



• **USE CLEARANCE STRIPS WHEN ADJOINING CABINETS OF DIFFERENT DEPTHS**



- **USE CLEARANCE STRIPS NEXT TO PANTRY OR OVEN CABINETS**





[thertastore.com](http://thertastore.com)