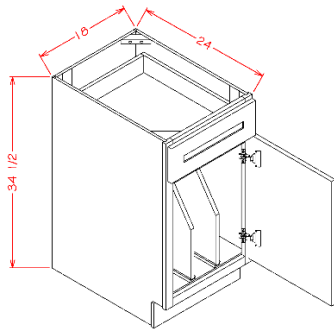
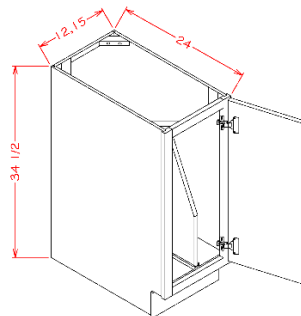


TRAY DIVIDER KIT

INSTALLATION INSTRUCTIONS



B18-TD
BASE | DOOR WITH TRAY DIVIDERS



B12-FH-TD, B15-FH-TD
BASE | DOOR, FULL HEIGHT WITH TRAY DIVIDERS

Tray divider kits are designed to be installed in the cabinets prior to installation

- 1) Unpack the components. The floor and ceiling of the kits are identical and will have the wooden runners already attached.
- 2) Lay the floor on top of the existing floor of the cabinet. It will sit in place behind the front frame.
- 3) Insert the ceiling into the cabinet opening with the wood runners pointing down and slide up until the vertical dividers can be inserted between the wood runners.
- 4) Use the supplied angle brackets to fasten the ceiling to the end panels through the top of the cabinet. **Please note:** The vertical dividers are designed to slide out of the cabinet for easy cleaning. Make sure the panels slide in and out easily before completing the installation. You can use a piece of paper folded over twice in between the vertical divider and the wooden runner to provide enough space for easy future removal.

Installing tray divider kits after the counter top has been installed, is slightly more involved but not difficult.

- 1) Unpack the components. The floor and ceiling of the kits are identical and will have the wooden runners already attached.
- 2) Lay the floor on top of the existing floor of the cabinet. It will sit in place behind the front frame.
- 3) The metal angle brackets will need to be install UNDER the ceiling. If you have a standard tray divider (with a drawer above) you will need 4 narrow pieces of scrap like a furring strip cut to 20 1/16" long. If you have a full height tray divider, the strips will need to be 26 1/16" long.
- 4) Insert the ceiling with the wooden runners pointing down and use the four pieces of scrap wood to hold the ceiling in place.
- 5) Install the metal corner brackets supplied, under the ceiling and fasten to the end panels.
- 6) Remove the scrap wood and insert the vertical dividers