

ASSEMBLY INSTRUCTION

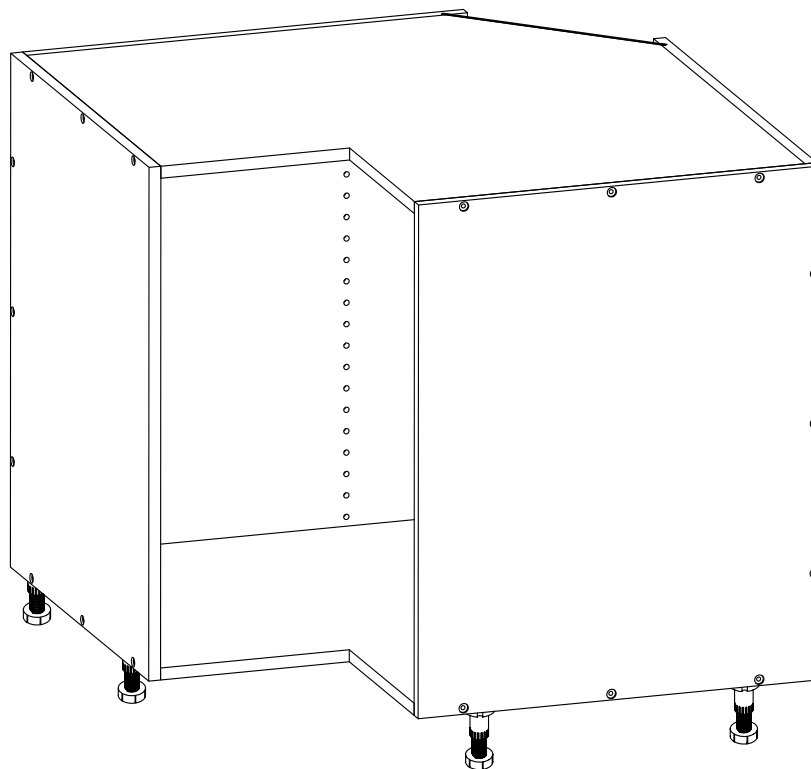
Base Easy Reach

UBER33
UBER36

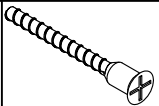


WARNING!

If using an adjustable shelf , the shelf needs to be inserted in the cabinet prior to final assembly

We recommend not using glue on this cabinet in case you need to disassemble to fit into small rooms or doorways. The screw and dowel construction is extremely strong.



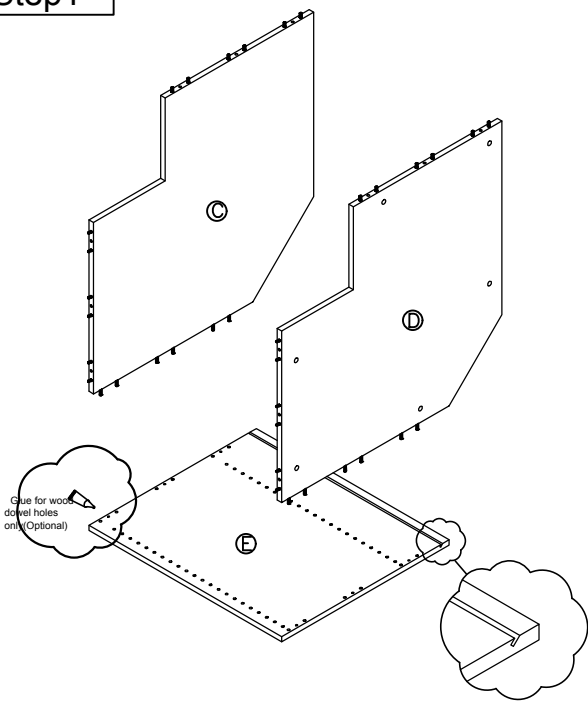
Hardware Fitting

1	Screw	 $\text{Ø}7*50\text{mm}$ (2")	30PC
2	Leg	 $4 \frac{1}{2}"$	6PC
3	Screw for Leg	 $\text{Ø}4*15\text{mm}$ ($\frac{5}{8}"$)	30PC

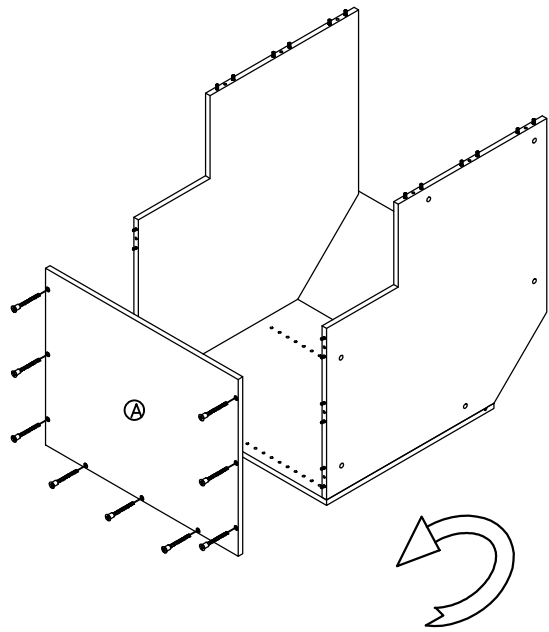
1	Left/Right Side Panel	2PCS
2	Top/Bottom Panel	2PCS
3	Back Side Panel	2PCS
4	Back Panel	1PCS
5		



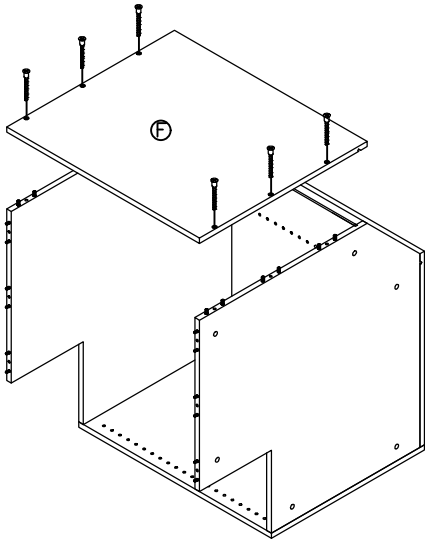
Step1



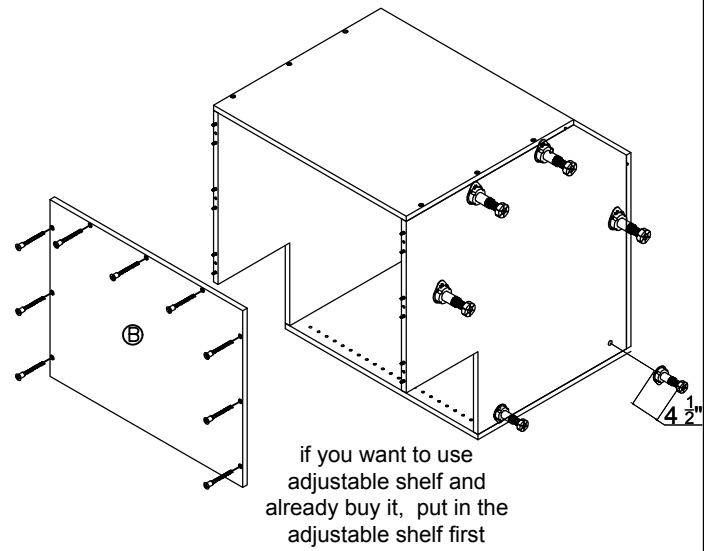
Step2



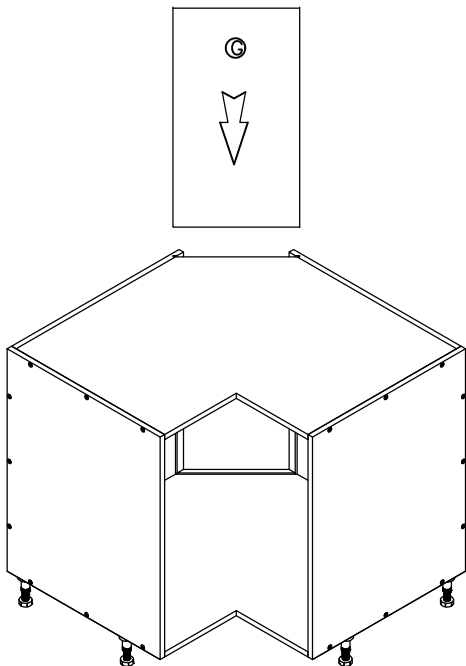
Step3



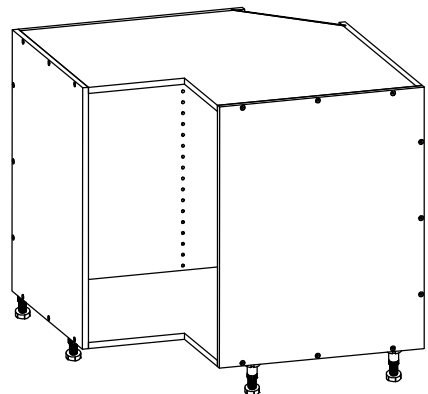
Step4

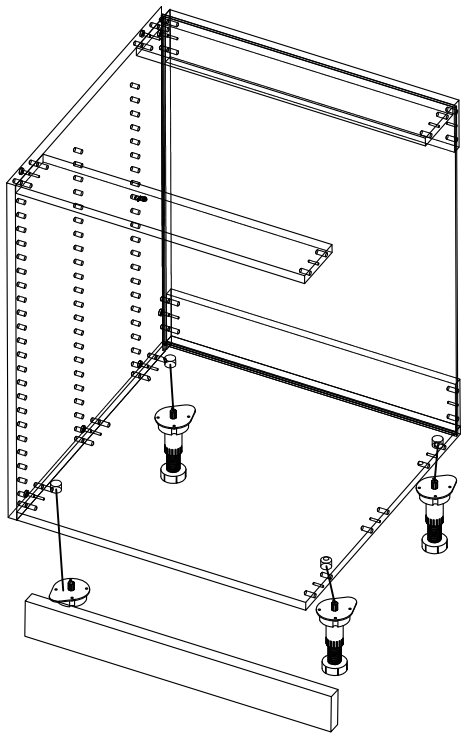


Step5

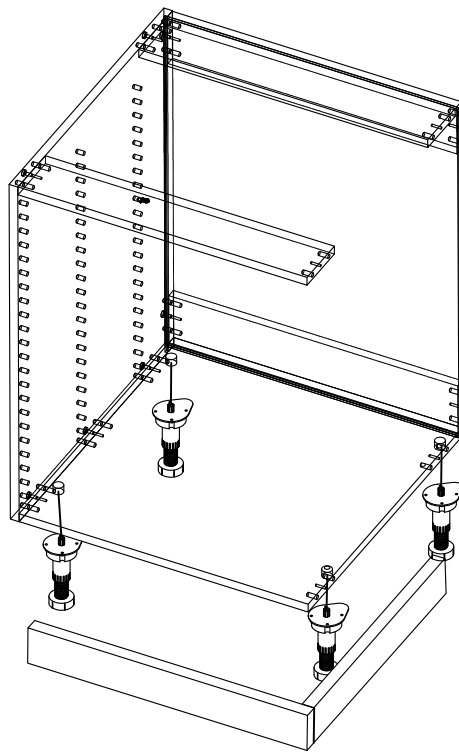


Step6

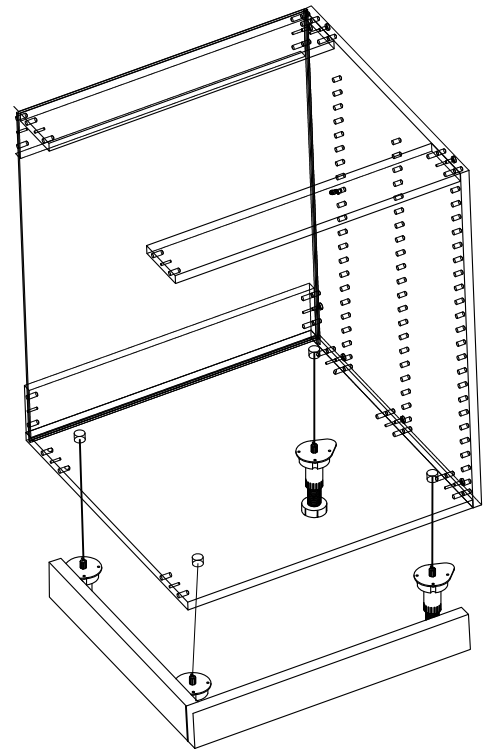




front



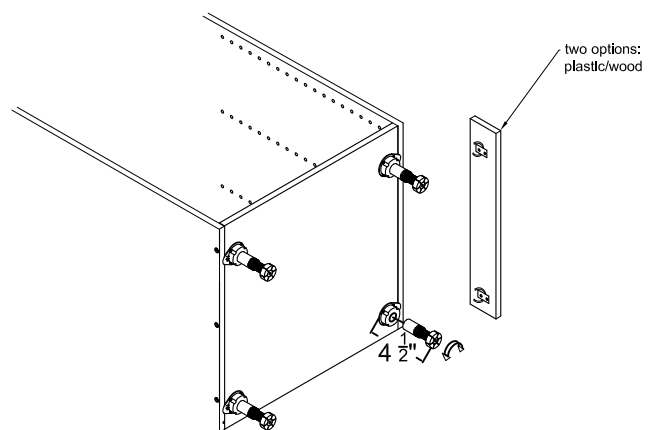
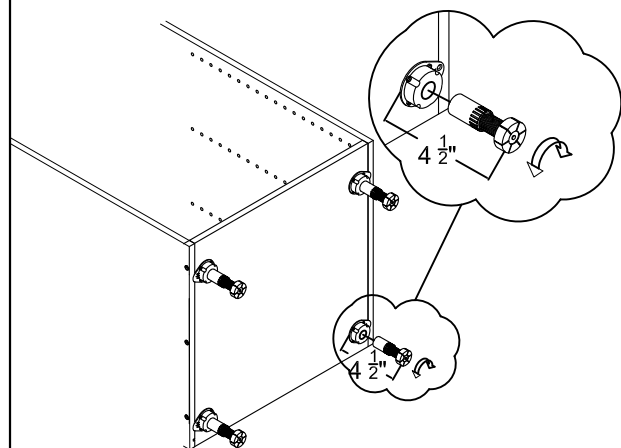
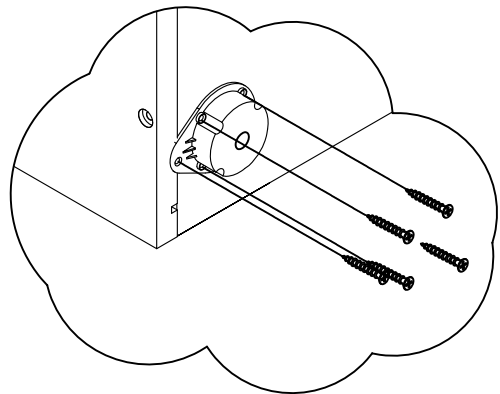
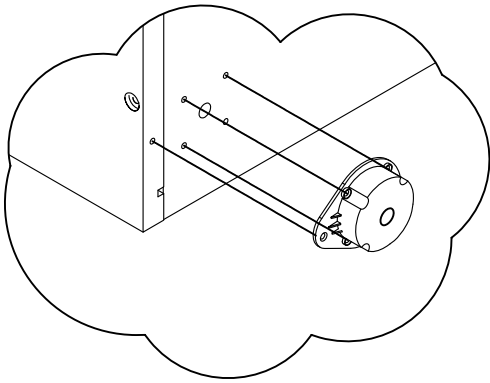
front and right



front and left

LEGS AND TOEKICK

require screwing in, no
predrilled holes



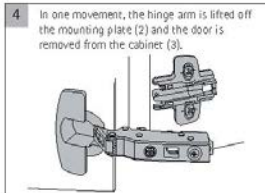
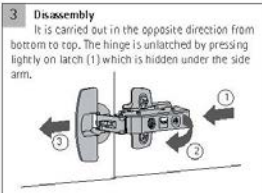
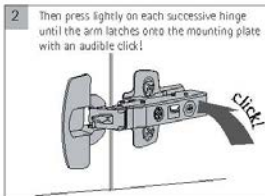
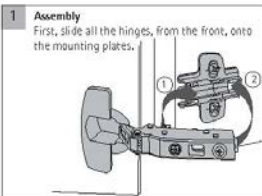
sensys. fast-assembly concealed hinge with integrated damping



DTC
Global Quality Benchmark

Technik für Möbel

Hettich



Technische Änderungen vorbehalten.
Keine Gewährleistung für Druckfehler
und Irrtümer.

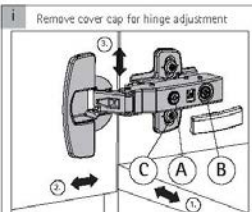
Subject to technical alterations
Errors and omissions excepted.

Sous réserve de modifications techniques.
Notre responsabilité ne sera
engagée en cas de fautes de frappe
ou d'erreurs.

Salvo modifiche tecniche.
Nessuna garanzia per errori di
stampa ed errori.

Se reserva el derecho a realizar
modificaciones técnicas. No ofrecemos
garantía alguna respecto a eventuales
errores de impresión u otros errores.

Technische wijzigingen
voorbehouden.
Wij zijn niet verantwoordelijk voor
drukfouten of andere vergissingen.



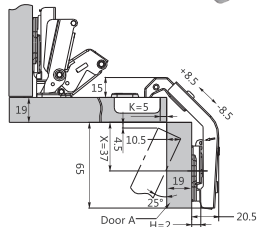
Adjustment

1. Overlay adjustment: + 2 / - 2 mm

Turn screw (A) clockwise:
Door overlay decreases (-).
Turn screw (A) anticlockwise:
Door overlay increases (+).

2. Depth adjustment: + 3 / - 2 mm
Direct, infinitely variable depth adjustment
by turning the screw (B).

3. Height adjustment: + 2 / - 2 mm
Loosen fixing screws (C) slightly and adjust
height of door. Then tighten fixingscrews again.



Adjustment range of door A -3.0 --- +2.0